

10.4" Liquid Crystal Panel Mount Display

Key Features

- 10.4" Color Active Matrix Liquid Crystal Display
- 1024 x 768 (XGA)
- 600 cd/m² Brightness
- Built-in CPU
- 1.6GHz processor, 8GB DDR3L, and 32GB eMMC
- Ethernet, Compact Flash, Mouse, Keyboard, and IDE Connections
- EMI Anti-Reflective Protective Window
- Designed and Built to Military Standards
- Wide Viewing Angle ± 85 Degrees

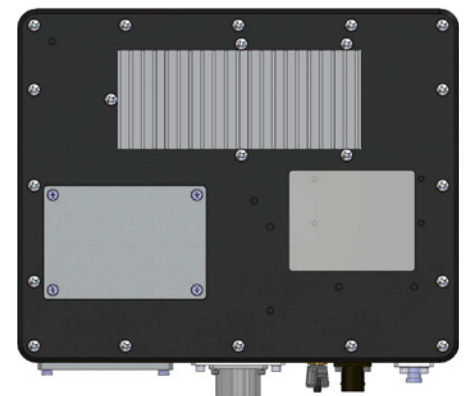


Model: REP-10CPU-PM (P/N: 1000750-104)

The REP-10CPU-PM is Epsilon Systems' 10.4" display and has a built-in CPU offering significant benefits with respect to dimensions, ruggedization and video quality. It has an Ethernet connection, a USB mouse and keyboard ports. The REP-10CPU-PM combines unmatched mechanical integrity with exceptionally low weight to provide a unique, rugged display solution, especially for applications where space and weight are critical.

The REP-10CPU-PM has a native resolution of 1024 x 768 (XGA) offering excellent performance in terms of brightness, crispness, contrast and viewing angle. The bezel and mounting can be customized to address virtually any mounting need in any application. Additionally, the REP-10CPU-PM combines this high level of performance and versatility with a very competitive price/performance value.

Epsilon Systems' display has been designed and qualified for applications in the most hostile environments. Epsilon Systems' rugged displays are well suited for specific naval combat, army and airborne applications.



BACK



BOTTOM

10.4" Liquid Crystal Panel Mount Display

Contact

Ronald Klein

Vice President of Information Technology
 Vice President & General Manager
 Advanced Products Group West

Direct: 858-740-0572
FlatPanels@epsilonsystems.com

5482 Complex Street, Suite 109
 San Diego, CA 92123
 619-702-1700

Headquarters and Corporate Office
 9444 Balboa Avenue, Suite 100
 San Diego, CA 92123

TECHNICAL SPECIFICATIONS

Active Display Area	10.4" TFT Active Matrix LCD 210.4 x 157.8 mm
Display Resolution	1024 x 768 (XGA)
LCD Technology	LED Backlighting
Input Interface	Ethernet, Compact Flash, Mouse, Keyboard, and IDE
Brightness	600 cd/m ²
Viewing Angle	± 85 Degrees All Directions (Typical)
Contrast Ratio	700:1 (Typical)
Display Colors	16.7 M
Power Supply	115 VAC
Model Number	REP-10CPU-PM
User Controls	Brightness, Dim, Power

DESIGNED TO MEET RIGOROUS MILITARY SPECIFICATIONS

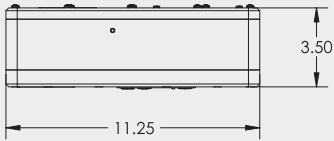
MIL-STD-167-1, Type 1	Vibration
MIL-STD-810	Environmental
MIL-STD-901D Grade A, Class I, Type A	Shock
MIL-STD-461E	EMI/EMC

ENVIRONMENTAL SPECIFICATIONS

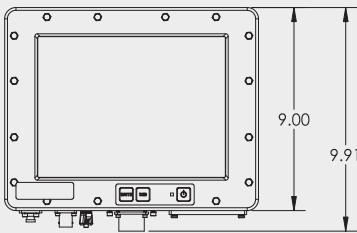
IP Rating	IP65 Drip Proof
Operating Temperature	-20°C to +80°C
Storage Temperature	-20°C to +80°C
Humidity	5 to 95% @ RH Non-condensing

DIMENSIONS INCHES MILLIMETERS

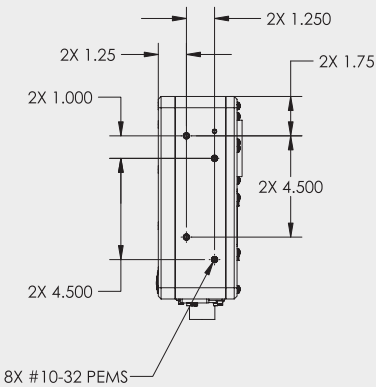
Height	9.06"	230.2 mm
Width	11.25"	285.75 mm
Depth	3.75"	95.3 mm
Weight	14 lbs	6.4 kg



TOP



FRONT



SIDE